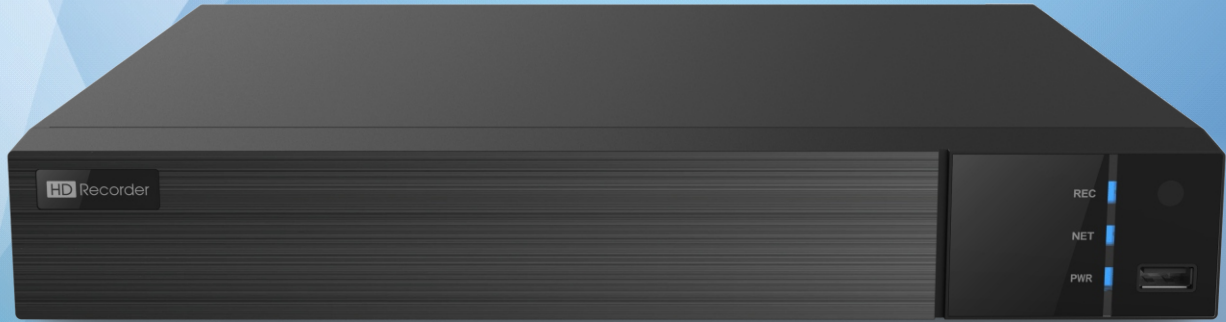


Hybrid DVR

4/8CH Hybrid DVR



TD-2704NS-HC-H TD-2708NS-HC-H



TD-2700NS-HC-H series is 4 / 8 CH 1080P high definition DVR with ability to connect analog and IP cameras simultaneously, which adopts the standard H.265 high profile compression format and the advanced SOC technique to ensure real time recording in each channel and realize outstanding robustness of the system. TD-2700NS-HC-H series supports 4 / 8 CH video input, 4 / 8 CH audio input, simultaneous 4 / 8 CH playback. The series of product can meet different security requirements of home, financial, commerce, enterprise, transportation and government, etc.



en.tvt.net.cn

For more information, please visit our website

Shenzhen TVT DIGITAL TECHNOLOGY CO., LTD.

Address: 23rd Floor, Block B4, Building NO.9, Shenzhen Bay Eco-Technology Park, Nanshan District, Shenzhen, Guangdong Province, P.R.China

Tel: +86-755-36995888

Web site: <http://en.tvt.net.cn>

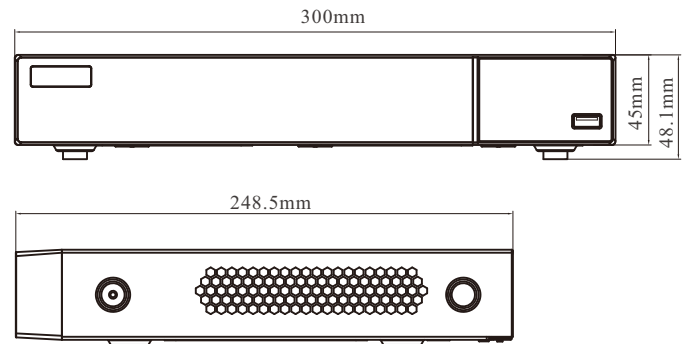
Fax: +86-755-33104777

E-mail: overseas@tvt.net.cn

Features

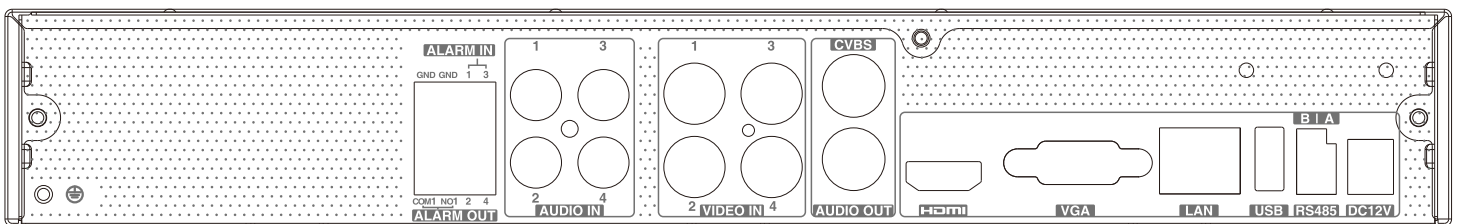
- 4 / 8 CH TVI / AHD / CVI 5MP / 4MP / 1080P / 720P / WD1 video input
- 4 / 8 CH DVRs default support 2 / 4 CH 5MP / 4MP / 3MP / 1080P / 960P / 720P IP video input by default
- 4/8CH analog video input can be switched to 4/8CH IP video input for 4/8CH DVR
- Adopt standard H.265 high profile compression format to get high-quality video at much lower bit rate
- Intuitive and user-friendly Graphics User Interface (GUI), window style operation by mouse
- Multi-mode recording: manual / timed / sensor / motion / AI recording
- Playback : 4 / 8 CH simultaneously playback
- Search: time slice, time, event (manual, motion), tag search
- Express and flexible backup via USB, network and so on
- Pentaplex: preview, record, playback, backup and remote access
- DHCP, DDNS, PPPoE network protocol
- Remote control via Web Client or CMS : preview, playback, backup, PTZ and configuration
- Support remote network transmission and remote surveillance with mobile device
- Multi-user online simultaneously
- Authorization management, log review and device status review
- 1080P output, true high resolution display
- Support PTZ preset and auto cruise, up to 255 presets and 8 cruises
- Support NAT function and QRCode scanning by mobile phones
- Powerful mobile surveillance by smart phones with iOS and Android OS

Dimensions

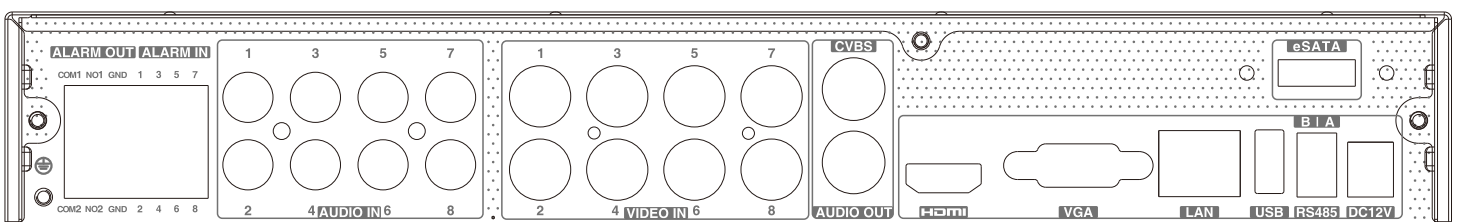


Rear Panel

TD-2704NS-HC-H



TD-2708NS-HC-H



Specifications

| Model | | TD-2704NS-HC-H | TD-2708NS-HC-H |
|--------------------------|------------------------------------|-----------------------------------------------------------------------------------------------------------------------------------------------------------------------------------|------------------------------|
| System | OS | Embedded Linux | |
| Video | Analog Video Input | BNC × 4 | BNC × 8 |
| | | BNC interface (1.0Vp-p; 75Ω) | |
| | | TVI/AHD/CVI : 5MP/4MP/1080P/720P/WD1 (live) | |
| | IP Video Input | 2CH(up to 6CH) | 4CH (up to 12CH) |
| | | Up to 5MP@30fps | Up to 5MP@30fps |
| | Total Input | 6CH | 12CH |
| | Output | HDMI × 1 : 1920 × 1080 / 1280 × 1024 / 1024 × 768 VGA × 1 : 1920 × 1080 / 1280 × 1024 / 1024 × 768 BNC × 1 : CVBS (used as the main or spot output) | |
| | Compression | H.264/H.265/H.265+ | |
| Multi-screen Display | 1 /4/6/9 | 1 /4/6/8/9/13/16 | |
| Audio | Input | RCA × 4 | RCA × 8 |
| | Output | RCA × 1 (linear, 600Ω) | |
| | Two-way audio | Take up channel one audio input | |
| | Compression | G.711(U/A) | |
| Record | Resolution | 5MP Lite/4MP Lite / 1080P/1080P Lite/720P/WD1 | |
| | Frame Rate | Analog Channel: 5MP Lite@10fps (PAL / NTSC); 4MP Lite/1080P@12fps(PAL) / 15fps (NTSC) 1080P Lite/720P/WD1@25fps (PAL) / 30fps (NTSC) IP Channel: 25fps (PAL) / 30fps (NTSC) | |
| | Bit Rate | 32Kbps ~ 4Mbps | |
| | Mode | Manual, timed, motion, smart event, etc. | |
| Playback | Playback | 4CH | 8CH |
| | Search | Time slice / time / event / tag search | |
| | Smart Search | Highlight colors to display the camera record in a certain period of time, different colors refer to different record events | |
| | Function | Play, pause, FF, FB, digital zoom, etc. | |
| Alarm | Mode | Manual, motion, exception, sensor, smart event | |
| | Input | 4CH | 8CH |
| | Output | 1CH | 2CH |
| AI Function | Smart Motion Detection Performance | 4CH | 8CH |
| | Perimeter Protection Performance | 1CH | 1CH |
| Network | Interface | RJ 45 100Mbps × 1 | |
| | Protocol | TCP / IP, IPv4, IPv6, PPPoE, DHCP, DNS, DDNS, UPnP, HTTP, HTTPS, 802.1x, FTP, RTP, RTSP, RTCP, NTP, SMTP, UDP, Websocket, SNMP, IGMP | |
| | Incoming Bandwidth | 16Mbps(max.32Mbps) | 32Mbps(max.60Mbps) |
| | Outgoing Bandwidth | 40Mbps | 60Mbps |
| | Client Connection | Max. 5 users access | |
| MobileDevice | OS | iOS, Andriod | |
| Storage | HDD | SATA×1, up to 10TB | SATA×1, up to 10TB; E-SATA×1 |
| Backup | Local Backup | U disk, USB mobile HDD | |
| | Network Backup | Yes | |
| Port | RS 485 | Yes (half-duplex), connect to PTZ or keyboard | |
| | USB | USB 2.0 × 2 | |
| | Remote Controller | Optional | |
| Others | Power Supply | DC12V/1.5A | DC12V/2A |
| | Consumption | ≤ 10W (without HDD) | ≤ 10W (without HDD) |
| | Dimensions(mm) | 300 × 249 × 45mm (W × D × H) | |
| | Working Environment | -10~50°C, 10%~90% (humidity) | |
| | Certificate | CE, FCC | |
| Environmental Protection | Directive EU RoHS, WEEE, REACH | | |